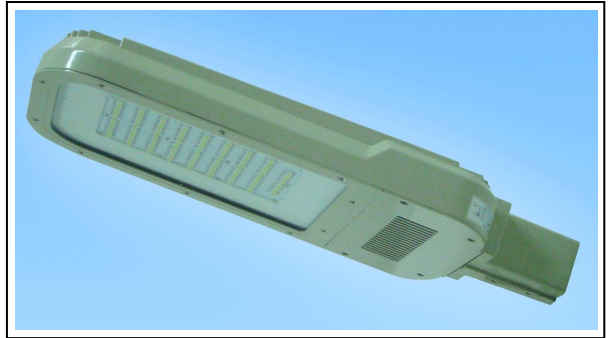




AL-SR series of AOD Solar LED street lights which is especially designed for fitting with the application environment adopt very good heat sink and light distribution technology, the appearance is the same as the integral LED street light.



High brightness LED lamps are adopted to make AOD AL-SR series LED street light, the LED lamp efficacy is up to 130lm/W. The usage of first lens and tempered glass has solved the problem of light loss and chromatic aberration caused by using second lens, it assures the uniformity of illuminance and chromaticity on the ground surface. The unique eutectic bounding of AOD LED street light assures perfect LED thermal management from chip to external heat sinking mechanisms, the junction temperature is lower than 65°C, effectively controlling the light decay and prolonging the lifetime more than 50,000 hrs.

The high reliable and intelligent driver and professional heat sink design technology assures the working temperature of the electronic components is not higher than 60°C, the power efficiency is very high, life time is more than 50,000 hrs. The intelligent function of electronic anti-reverse connection and automatic switch off which could be caused by the higher or lower supply voltage assure the safety of the light, and the perfect protection of over current, overvoltage and overheat function enhance the reliability. Meanwhile, such electronic driver design also provides several flexible and advanced control functions such as timer control, temperature control, photo sensor control, acoustic sensor control and internet control etc.

The high reliable and intelligent driver and professional heat sink design technology assures the working temperature of the electronic components is not higher than 60°C, the power efficiency is very high, life time is more than 50,000 hrs. The intelligent function of electronic anti-reverse connection and automatic switch off which could be caused by the higher or lower supply voltage assure the safety of the light, and the perfect protection of over current, overvoltage and overheat function enhance the reliability. Meanwhile, such electronic driver design also provides several flexible and advanced control functions such as timer control, temperature control, photo sensor control, acoustic sensor control and internet control etc.

AOD Solar LED street lights have been found broad applications of all kinds of Solar LED street light system and wind-solar LED street light system etc.

Solar LED street light power series

Part No.	Rated Wattage	Working Voltage	Net Weight	Case Model
AL-SR02-E	20W	DC12V	4kg	C4
AL- SR03-E	30W	DC12V	4kg	C4
AL- SR04-E	40W	DC12V	10kg	C1
AL- SR04-F	40W	DC24V	10kg	C1
AL-SR05-E	50W	DC12V	10kg	C1
AL-SR05-F	50W	DC24V	10kg	C1
AL-SR08-F	80W	DC24V	10kg	C1
AL-SR10-F	100W	DC24V	10kg	C1
AL-SR13-F	130W	DC24V	10kg	C1

Notes: 1. Besides above standard power series, custom-made products are available also.

2. The above mentioned products only refer to the LED lighting luminaire, not including the solar panel and the components of wind engine etc. If needed, please contact with AOD Customer Service Department, a professional design according to your requirements will be provided.

For more product details, please visit us at www.aodevices.com



AL-SR04-F Parameters

Item	Symbol	Min.	Typical	Max.	Conditions	Notes
Working Voltage(V)	Vin	20	24	30		DC ripple <500mV
Rated Wattage(W)	P	34	40	46	DC24V,25°C	
Luminous Flux(lm)	Φ		3200		DC24V,25°C	
Start Time(ms)				100	DC24V,25°C	Cold Start
Color Temperature(K)	CCT	3500	-	6500		Optional ¹
Working Temperature(°C)	Temp	-20		45	DC24V	
Adaptive Humidity (%)	RH			90		
Lifetime(hrs)	MTTF		50000		DC24V,25°C	influenced by ambient conditions
Net Weight(kg)	weight		10			
Interface size(mm)			Φ60 ²			
Recommended wire (m/mm ²)				10 /1.5		Voltage consumption in wire <0.5V ³
IP Class	IP Class	IP65				

Notes: 1. AOD Standard Color Temperature:

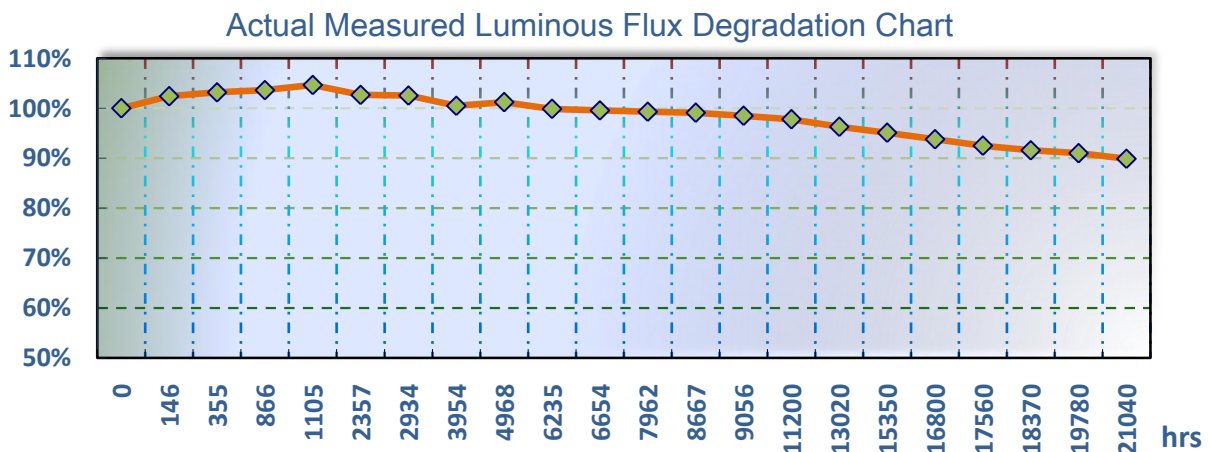
3500±200K、4000±250K、4500±250K、5000±300K、5700±350K、6500±500K

2. Custom-made standard interface connector is accepted by AOD in case it is in need.

3. In order to assure the light works well, the voltage consumption in wire should be less than 0.5V.

Otherwise, the lights will be switched off wrongly. According to this requirement, the length per cross sectional area of the wire must be less than the parameters in the above chart.

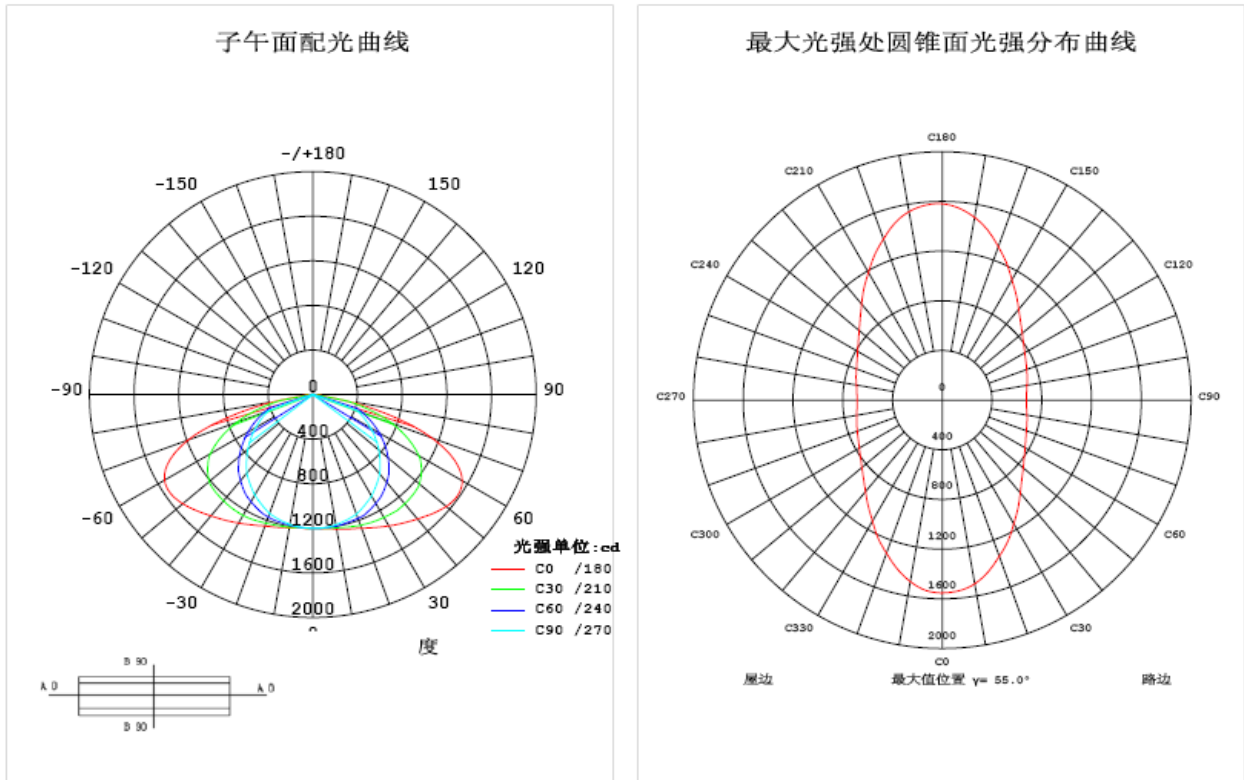
Luminous Flux Maintenance Chart



Remarks: This chart shows the actual testing data of many streets that exactly reflects luminous flux degradation of LED street lights in use. It is noticeable that natural environment conditions such as weather, temperature and so on can affect illumination intensity to some degree in actual testing. We can see that the maintaining luminous rate of our street lights is above 95% after working for 3 years without maintenance.

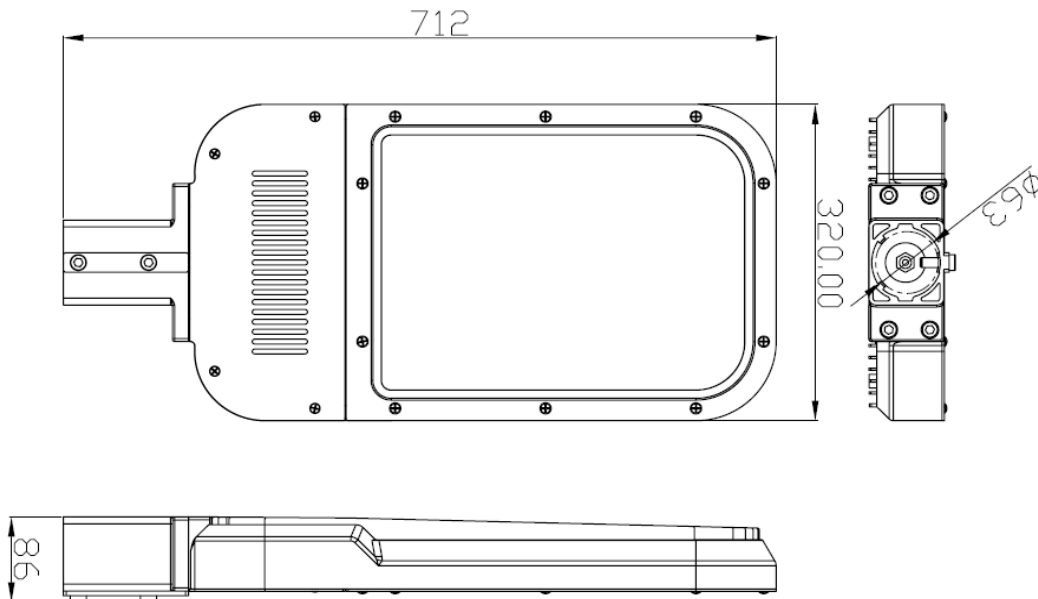


AL-SR04-F Light Distribution Chart



Remarks: The bat-wing light distribution forms a rectangular facula in the effective area on the road, ensuring the illumination uniformity in the longitudinal direction is above 0.5 and the total illumination uniformity on the road is above 0.4.

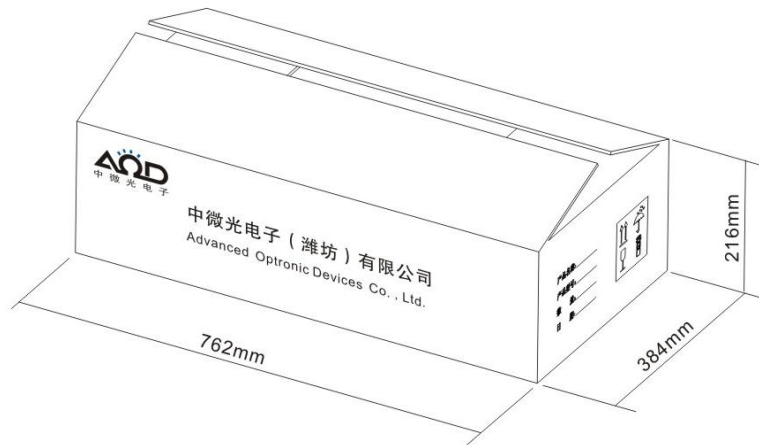
AL-SR04-F Structural Specification



Case Model : C1



AL-SR04-F Packing Dimension



Installation Instructions:

1. The input wire of Solar LED street light is triple core(double core) sheath one, in which the brown(red) line is jointed to the positive pole, the blue line is jointed to negative pole, the flexible line is jointed to the ground wire while there's no ground wire for double core sheath one.
2. Inserting the $\Phi 60$ type lamp pole into the LED street light's interface, then fastening the inner hexagon screw. Meanwhile pay attention to keep the lamp balance.
3. The whole system works only after we connect the battery, solar panel, fan (wind-solar system) and solar LED street light in order properly according to the wire connection instruction of the controller. The photo sensor controller works when sky turns dark. Assuring the Solar LED street light works under the rated voltage, otherwise the non-restorable damage will be made.

Attention:

1. To ensure the reliability and stability of the lights, the lead wires must be in line with the requirements in the above parameters chart, the wires must be connected firmly
2. The joints of wires must be covered with insulating tape and be waterproof!
3. Screws must be installed firmly to avoid the solar LED street light drifting!
4. The supply voltage must not be less than DC36V!

After Sales Services:

If you have any question or problem in the process of unpacking, installation and use, please contact our Customer Service Department. We will respond within 2 hours, and if necessary, we will promptly send our maintenance professionals to your site as quickly as possible to solve your trouble and restore to the normal working condition.

AOD takes guarantee responsibility unless otherwise specified in the following circumstances:

- ✧ The breakdown or the damage is caused by incorrect installation, failure operation or use under the Not-specified working conditions.
- ✧ The damage is caused by accident, abuse or misuse. The breakdown or the damage is caused by customers' unsuitable safekeeping or transportation.
- ✧ The breakdown or the damage are caused by customers' disassembly or change the spare parts to which are not approved by AOD
- ✧ The breakdown or the damage is caused by man-made or natural disaster

AOD insists on improving our production performance and insists on innovation constantly. The information contained in this document is the latest data at the deadline for edition and subject to change without notice.

AOD reserves the right to the interpretation of this document. The pictures shown here is indicative only. If there is discrepancy between the pictures and the actual products, the actual products shall govern.